

[www.tecnac.net](http://www.tecnac.net)

***COAXIAL EVAPORATORS  
AND CONDENSERS***  
**EVAPORADORES Y  
CONDENSADORES  
COAXIALES**



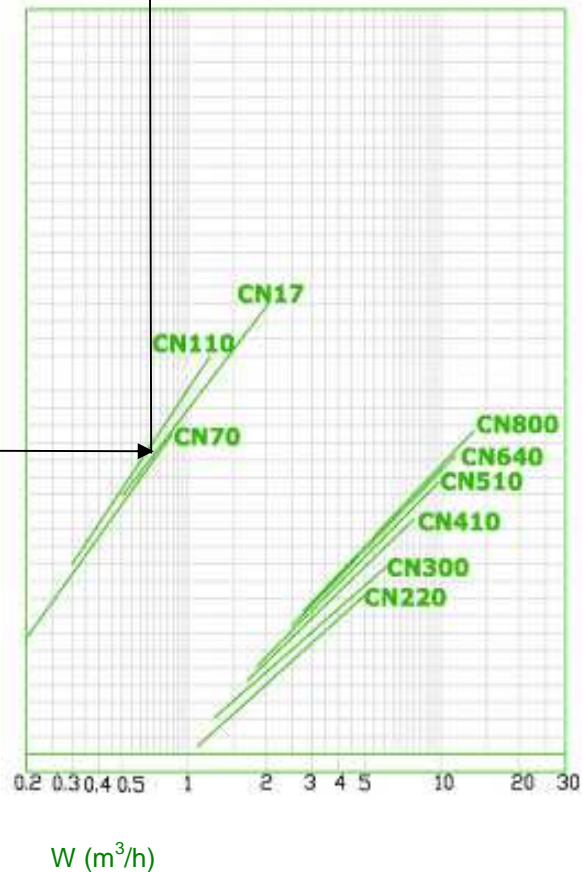
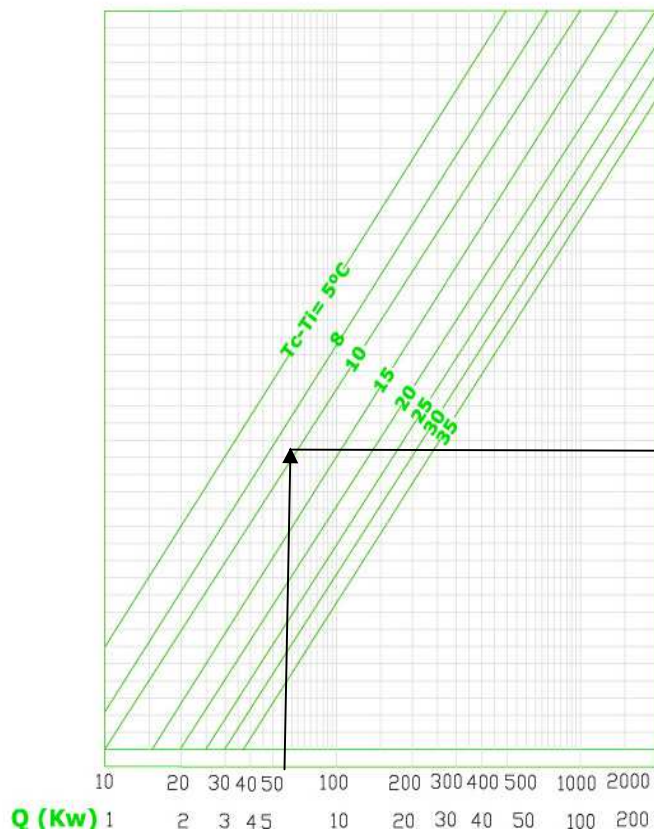
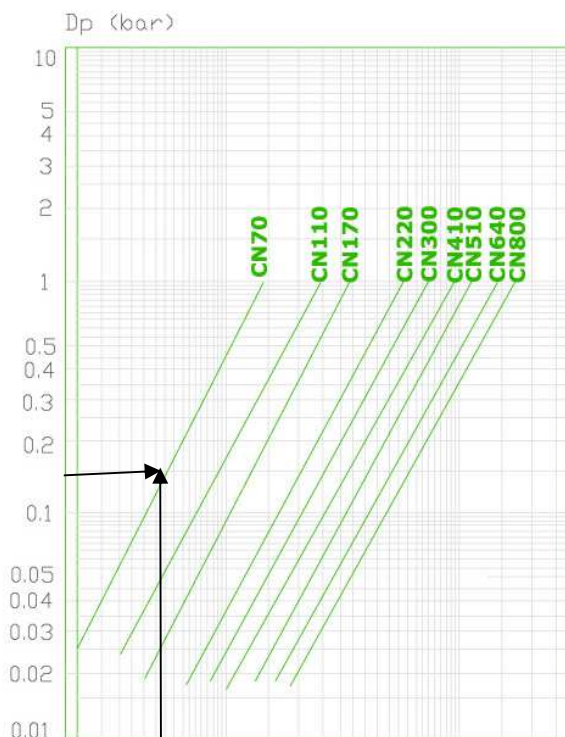
SELECTION CHART CONDENSERS  
DIAGRAMA SELECCIÓN CONDENSADORES

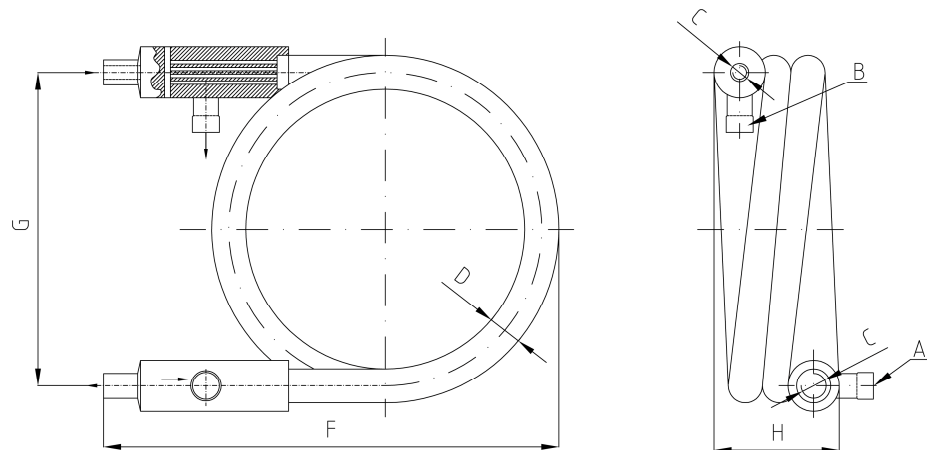
Models: CN70 to CN800 / Modelos: CN70 al CN800

Q = Condenser capacity Potencia condensador (Kw)

W = Water flow / Caudal de agua/ m3/h

Dp = Water pressure drop / Pérdida de carga (bar)





| MODEL / MODELO                   |        | CN-70      | CN-110     | CN-170    | CN-220      | CN-300      | CN-410      | CN-510       | CN-640   | CN-800       |
|----------------------------------|--------|------------|------------|-----------|-------------|-------------|-------------|--------------|----------|--------------|
| Code / Código                    |        | 3002       | 3003       | 3004      | 3005        | 3006        | 3007        | 3008         | 3009     | 3010         |
| KW                               |        | 6,5        | 10,4       | 17        | 21,8        | 30          | 40,2        | 50,9         | 64       | 80           |
| Water Flow/Caudal m3/h           |        | 0,7        | 1,1        | 2,1       | 3,1         | 4           | 5,1         | 6            | 7,5      | 8,7          |
| Pressure drop/Pérdida de carga   |        | 0,21       | 0,24       | 0,4       | 0,4         | 0,34        | 0,35        | 0,38         | 0,31     | 0,27         |
| Refrigerant outlet/ Salida Gas   | A(ODS) | 5/8"       | 5/8"       | 5/8"      | 7/8"        | 1 1/8"      | 1 1/8"      | 1 1/8"       | 1 1/8"   | 1 3/8"       |
| Refrigerant inlet/ Entrada Gas   | B(ODS) | 1/2"       | 1/2"       | 1/2"      | 1/2"        | 5/8"        | 5/8"        | 5/8"         | 5/8"     | 7/8"         |
| Water connections/ Conexión Agua | C      | 1/2" (ODS) | 5/8" (ODS) | 7/8"(ODS) | 1 1/4"(Gas) | 1 1/2"(Gas) | 1 1/2"(Gas) | 1 1/2" (Gas) | 2" (GAS) | 2 1/2" (Gas) |
| Pipe diameter / Diámetro tubo    | D(mm)  | 35         | 35         | 42        | 42          | 60          | 60          | 70           | 70       | 88,9         |
| Dimensions / Dimensiones         | F(mm)  | 380        | 380        | 440       | 463         | 530         | 535         | 680          | 865      | 895          |
|                                  | G(mm)  | 282        | 282        | 328       | 328         | 450         | 450         | 600          | 620      | 610          |
|                                  | H(mm)  | 154        | 220        | 220       | 220         | 300         | 300         | 350          | 177      | 332          |

**NOMINAL DATA / DATOS NOMINALES**

Ti = Water inlet temperature / Temperatura entrada agua = 40°C

Tc = Consensing temperature / Temperatura condensación = 50°C

Td = Subcooling refrigerant / Subenfriamiento refrigerante = 10°C

VALID FOR ALL THE REFRIGERANTS HFC: R22, R134a, R404A, R507, .....ETC

VÁLIDO PARA TODOS LOS REFRIGERANTES HFC: R22, R134a, R404A, R507, .....ETC

ALL THE MODELS ARE PAINTED IN BLACK

TODOS LOS MODELOS SON PINTADOS EN NEGRO





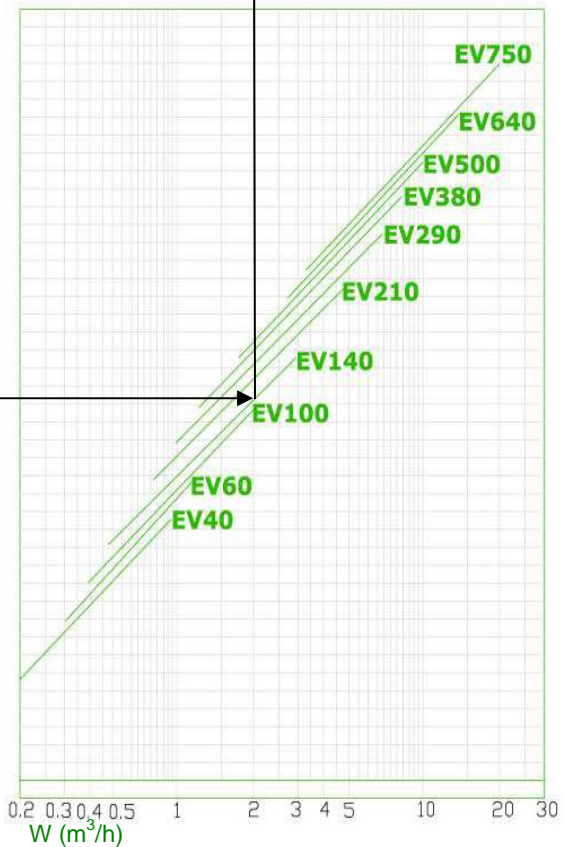
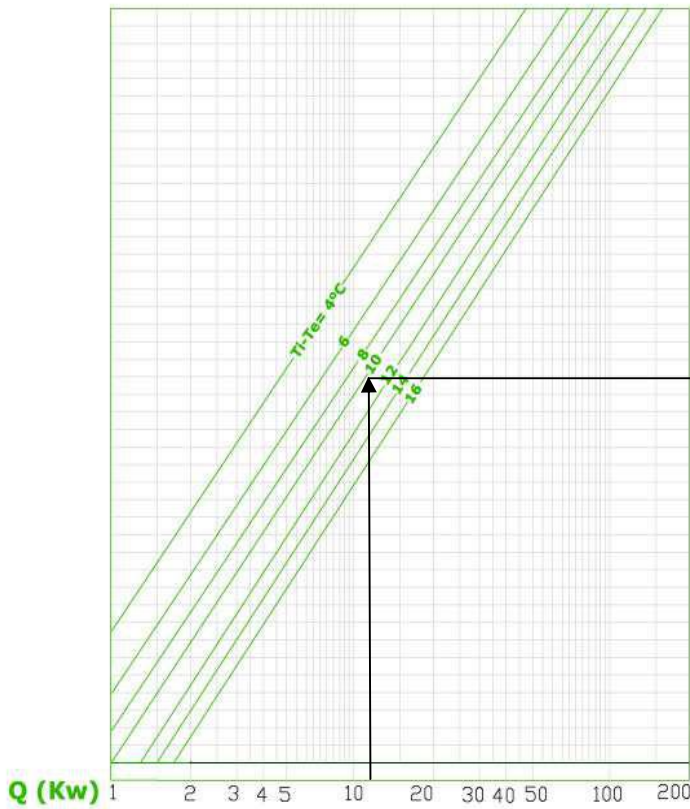
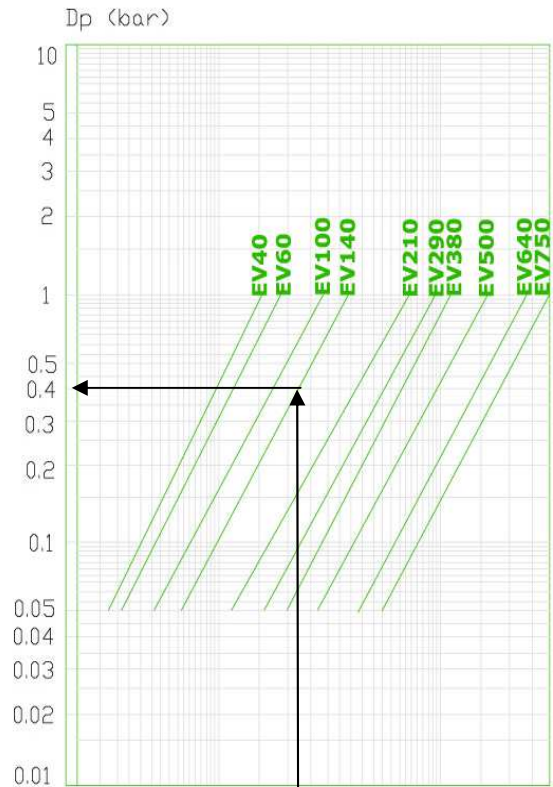
SELECTION CHART EVAPORATORS  
DIAGRAMA SELECCIÓN EVAPORADORES

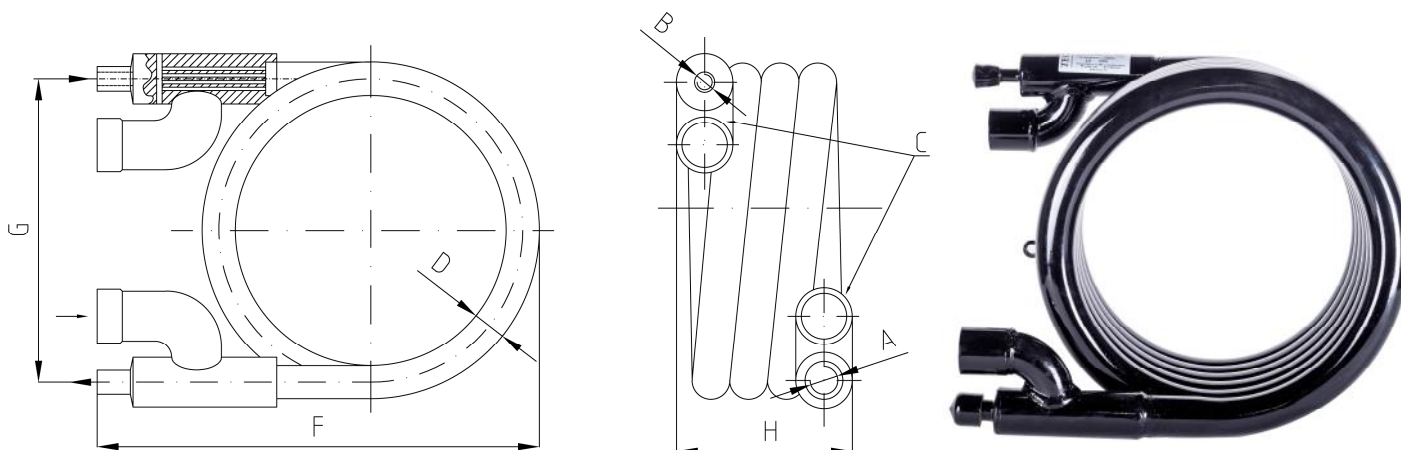
Models: EV40 to EV750 / Modelos: EV40 al EV750

Q = Evaporating capacity / Potencia evaporador (Kw)

W = Water flow / Caudal de agua/ m<sup>3</sup>/hr

Dp = Water pressure drop / Pérdida de carga (bar)





| MODEL / MODELO                   |        | EV-40 | EV-60 | EV-100 | EV-140 | EV-210 | EV-290 | EV-380 | EV-500 | EV-640 | EV-750 |
|----------------------------------|--------|-------|-------|--------|--------|--------|--------|--------|--------|--------|--------|
| Code / Código                    |        | 02001 | 02002 | 02003  | 02004  | 02005  | 02007  | 02008  | 02010  | 02011  | 02012  |
| KW                               |        | 4,4   | 6     | 9,8    | 13,9   | 20,87  | 29,1   | 37,6   | 49,85  | 64     | 75     |
| Water Flow/Caudal m3/h           |        | 0,7   | 0,8   | 1,4    | 2,4    | 3,5    | 4,5    | 6,1    | 8      | 11     | 12     |
| Pressure drop/Pérdida de carga   |        | 0,21  | 0,23  | 0,4    | 0,4    | 0,38   | 0,35   | 0,41   | 0,35   | 0,29   | 0,25   |
| Refrigerant outlet/ Salida Gas   | A(ODS) | 5/8"  | 5/8"  | 7/8"   | 7/8"   | 1 1/8" | 1 1/8" | 1 3/8" | 1 3/8" | 1 5/8" | 1 5/8" |
| Refrigerant inlet/ Entrada Gas   | B(ODS) | 1/2"  | 1/2"  | 5/8"   | 5/8"   | 7/8"   | 7/8"   | 1 1/8" | 1 1/8" | 1 1/8" | 1 1/8" |
| Water connections/ Conexión Agua | C(gas) | 1/2"  | 3/4"  | 1"     | 1 1/4" | 1 1/4" | 1 1/2" | 1 1/2" | 2"     | 2 1/2" | 2 1/2" |
| Pipe diameter / Diámetro tubo    | D(mm)  | 35    | 35    | 35     | 42     | 60     | 60     | 70     | 70     | 88.9   | 88.9   |
| Dimensions / Dimensiones         | F(mm)  | 380   | 380   | 400    | 440    | 520    | 520    | 670    | 865    | 895    | 895    |
|                                  | G(mm)  | 282   | 275   | 275    | 328    | 450    | 450    | 600    | 620    | 610    | 610    |
|                                  | H(mm)  | 220   | 220   | 260    | 270    | 300    | 300    | 350    | 252    | 332    | 332    |

**NOMINAL DATA / DATOS NOMINALES**

Ti = Water inlet temperature / Temperatura entrada agua = 12°C  
 Tu = Water outlet temperature / Temperatura salida de agua = 7°C  
 Te = Evaporating temperature / Temperatura de evaporación = 2°C  
 Dts = Superheating temperature / Recalentamiento = 4°C

VALID FOR ALL THE REFRIGERANTS HFC: R22, R134a, R404A, R507, R410A.....ETC

VÁLIDO PARA TODOS LOS REFRIGERANTES HFC: R22, R134a, R404A, R507, R410A .....ETC

VALID FOR (42bar):

VÁLIDO PARA (42bar):

**R410A**

ALL THE MODELS ARE PAINTED IN BLACK

TODOS LOS MODELOS SON PINTADOS EN NEGRO

